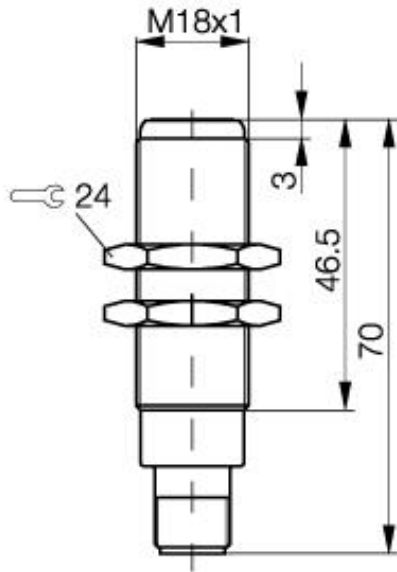


Photoelectric Sensor
BLS 18E-XX-1P-E5-X-S 4
Sn=16000mm
through-beam



PX1045

Common Data

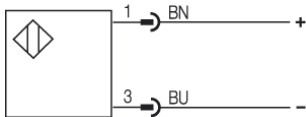
Series	18E
Sensortype	through-beam
Rated operating distance Sn in mm	16000
asured operating distance Sa	16000
Repeat accuracy	< 5% from Sn
Hysteresis	< 20%
Indication Supply Voltage	no
Indication Switching element on	no
Ambient temperature	-5...+75°C
Off-delay	< 50ms
Light	Infrared
Blind zone / min Reflector distance	0

Mechanical Data

Measurements	M18x70
Shock	Halfsinus, 30gn, 11ms
Vibration	10...55Hz, 1,5mm Amplitude 3x2h
Housing material	stainless steel 1.4571
Material of sensing face	Glass
Degree of protection	IP69
Connection	Connector S4 (M12)
Weighth	40g

Electrical Data

Current	DC
Rated operational voltage Ue	24V DC
Supply Voltage	10...30V DC
Ripple	max: 15% of UB
Protected against polarity reversal	yes
Rated insulation voltage	250V AC



Utilization categories
 Insulation class

DC 13
 II

Datasheet number:

Definitions see general catalog.
 If not otherwise noted, ratings according to
 IEC 60947-5-2 (DIN EN60947-5-2)

Balluff GmbH
 Schurwaldstrasse 9
 73765 Neuhausen a.d.F.
 Phone (07158) 173-0 Fax (07158) 5010

Datenblatt by CD-ROM - 04/2007

